



Dry Deck by Xccent Installation Instructions

Use the installation instructions for proper installation of Xccent Dry Deck.

* Equipment and Supplies

- Tape measure
- Power drill-min. 3/8" or larger with Loxs Head #2 Bit
- Miter saw with metal cutting carbide blade
- Power saw with metal cutting carbide blade
- Caulking Gun
- Adhesive Silicone Caulk- 100% silicone
- Chalk Line
- Level
- #8x1-5/8" Self tapping screws (planks)
- #10x3/4" Self tapping screws(trim)
- Strips of ice and water guard or Deck Protector
- Screen spline tool

IMPORTANT !!! Please read below before starting your decking installation!

* Inspect all decking for damage that may have occurred during shipment. Notify carrier or delivery person of this information promptly. Please verify quantities and lengths on order. If gasket has pulled out make sure to put back in using the spline screen tool. **Do not over stretch gasket as it will contract to original length.** Use a sponge with mild soap and water to lubricate the gaskets to ease installation.

* Dry Deck is interconnected and stiff, the frame that is built must be square. **Any excessive crown must be planned down before beginning installation.**

* With the corrosive issues associated with treated lumber today, **using a product such as W.R. Grace Deck Protector or strips of ice and water guard over the tops of the joists before installing Dry Deck is a must!** This will provide a barrier between Xccent Dry Deck and the treated joists.

* If the space below the deck is to be heated and electrical wiring is run, **local building codes may call for plywood/OSB sheathing and a waterproof membrane.** Consult your local code official for details.

* **To insure proper drainage the deck must slope away from the house or abutting wall a minimum of 1/8" per foot.** Proper flashing should be installed between ledger and siding prior to beginning the deck installation.



* There are two methods for installing Dry Deck, the first is with the decking running parallel to the house, the second method is with the decking running perpendicular to the house or other structure.

Decking Parallel to the house or structure:

1. The first installation method with deck board parallel to the house requires using the starter piece and attaching this piece to the house wall or structure. Attach the starter piece to the house with #8-1-5/8" every 24". Place a bead of adhesive caulk along the top edge of the starter piece.

2. Measure and make your adjustments so that the finish piece ends flush with the end of the deck. This adjustment is made by ripping or trimming the first main plank that fits into the starter piece. Place a bead of silicone caulk between the inside of the starter piece and the male end of the first main plank after ripping to width. By ripping the first plank if needed, all subsequent planks can then be used full width. Make sure this first plank is aligned properly since subsequent planks will follow this alignment. Screw to joist with 1-#8x1-5/8" screw, every joist, typically 24" or 32", through the screw flange predrill a slot with a 1/4" Dia. bit about 3/8"-1/2" long. Screw needs minimum 1" penetration into joists or solid blocking.

3. Start installing the main planks with one screw every joist. Measure distances from edge of plank-from each end- to end of deck to maintain proper alignment. To finish off the deck you have 2 choices. A finish end plank or a gutter plank. To install the finish plank you can lay a bead of adhesive caulk on the rim joist. Snap plank into place and put a screw in on each end of the plank. To install the gutter plank you can snap into place and screw through the opening in the top of plank into the joist and caulk the screw head.

4. Xccent finish trim can be installed around the edge of the decking to give the open ends of the decking a more finished look. There is a screw boss in the middle of every plank 3" in from each end and 6" centered from plank to plank. Place a bead of caulk along the edge of the planks. Place the trim along the edge of the decking, with thin side of "T" resting with top of decking, measure out the placement of the screw boss (3" from the outside end). There is a screw line on the trim piece to align the height of the screw boss. Fasten with #10x3/4" self tapping screws every 24" and caulk around screw head. The drip edge side of "T" provides a method for running your chosen fascia up to the trim piece for a finished look.

5. If the decking will require a splice for abutting pieces, leave at least 1/16" gap between the two pieces in order to set the splice tee in place. After completely installing the decking, lay a bead of caulk on either side of the 1/16" gap, then lay the splice tee into the gap, pressing down on the top of the tee to insure proper adhesion with the caulk.

Decking Perpendicular to House or Structure:

1. Framing must slope away from house or structure a minimum of 1/8" per foot and the deck framing must be square. If framing runs perpendicular to the house, blocking should be installed between joists at 24" or 32" centers. Any excessive crown in the joists must be planned down.



2. Install the start board at one side of your deck, measure the distance from the edge of the start board to the opposite side of the deck. Make this measurement from the other end of the start board to insure proper alignment of this start board. Screw to joist with 1-#8x1-5/8" screw, every joist, typically 24" or 32", through the screw flange predrill a slot with a 1/4" Dia. bit about 3/8"-1/2" long. Screw needs minimum 1" penetration into joists or solid blocking. When installing the planks maintain a gap between the house wall and end of the deck plank of approximately 3/16", this gap should be caulked and flashed after the deck installation is completed.

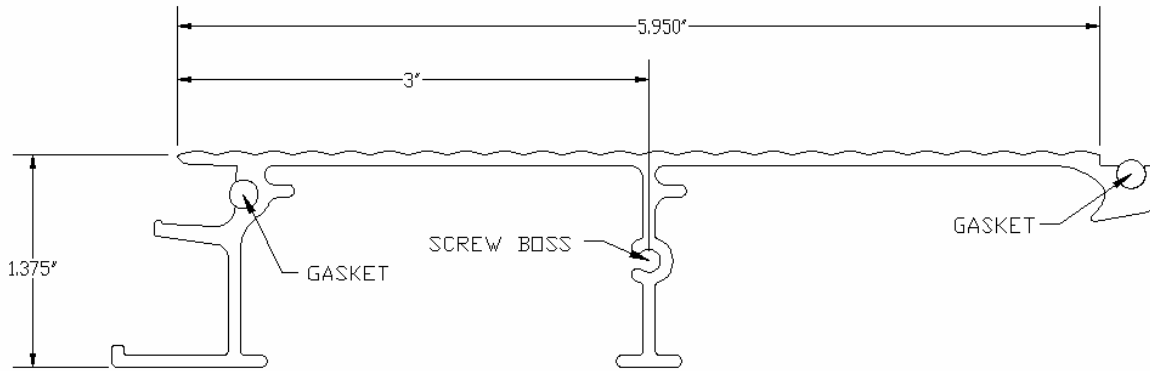
3. Install the main planks after securing the start board, again screwing through the flange, measure distance from edge of plank to finished side, to make sure proper alignment is maintained.

4. If the finish plank does not end flush with the edge of the deck. you may need to apply an extra board on the outside joist to have enough surface for the finished end return flange to sit flat. To install you can lay a bead of adhesive caulk on the end joist. Snap plank into place and put a screw through the face of the finish plank at an angle catching the return flange and into the joist. Install 1-5/8" screws every 24" and caulk the screw heads. .

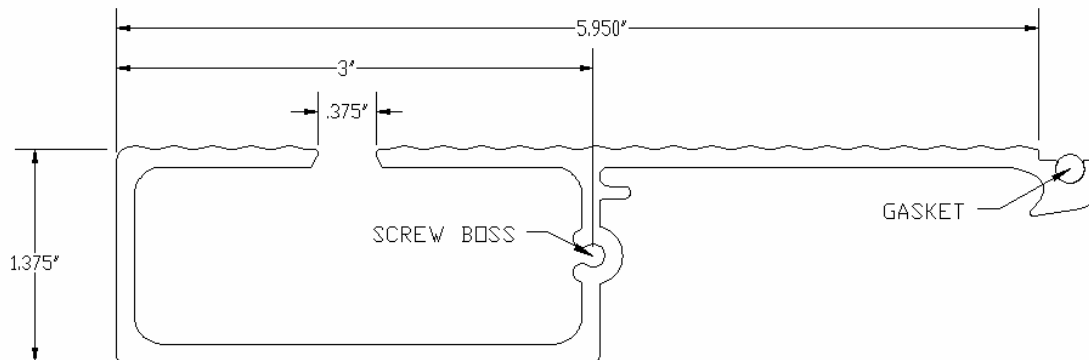
5. Apply a bead of caulk before flashing where the deck planks meet a wall.

6. Xccent finish trim can be installed around the edge of the decking to give the open end of the decking a more finished look. There is a screw boss in the middle of every plank 3" in from each end and 6" centered from plank to plank. Place a bead of caulk along the edge of the planks. Place the trim along the edge of the decking, with thin side of "T" resting with top of decking, Measure out the placement of the screw boss (3" from the outside end). . There is a screw line on the trim piece to align the height of the screw boss. Fasten with #10x3/4" self tapping screws every 24" and caulk around screw head. The drip edge side of "T" provides a method for running your chosen fascia up to the trim piece for a finished look.

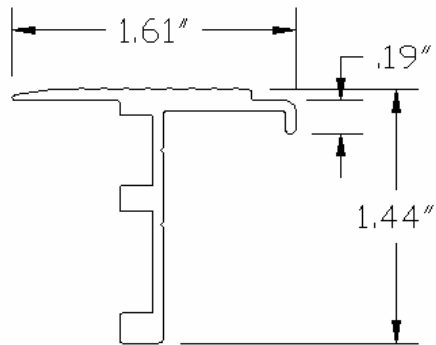
Components:



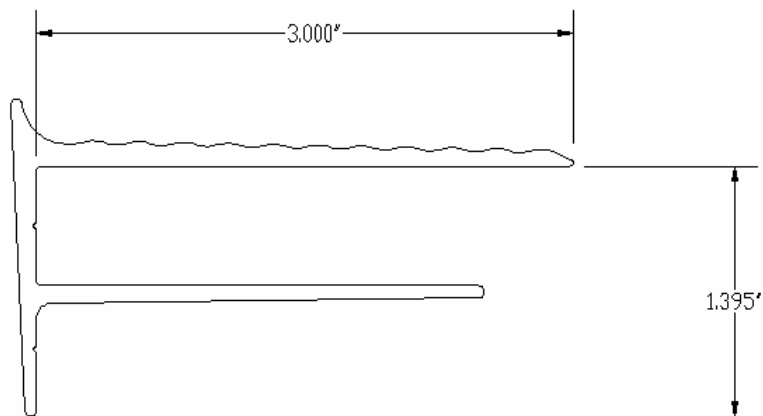
MAIN PLANK



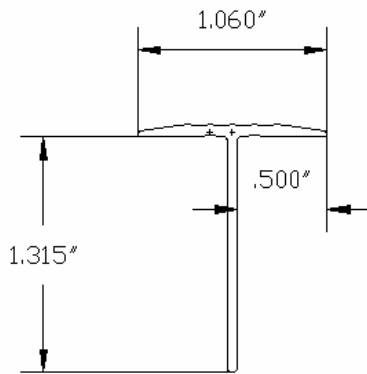
TRENCH PLANK



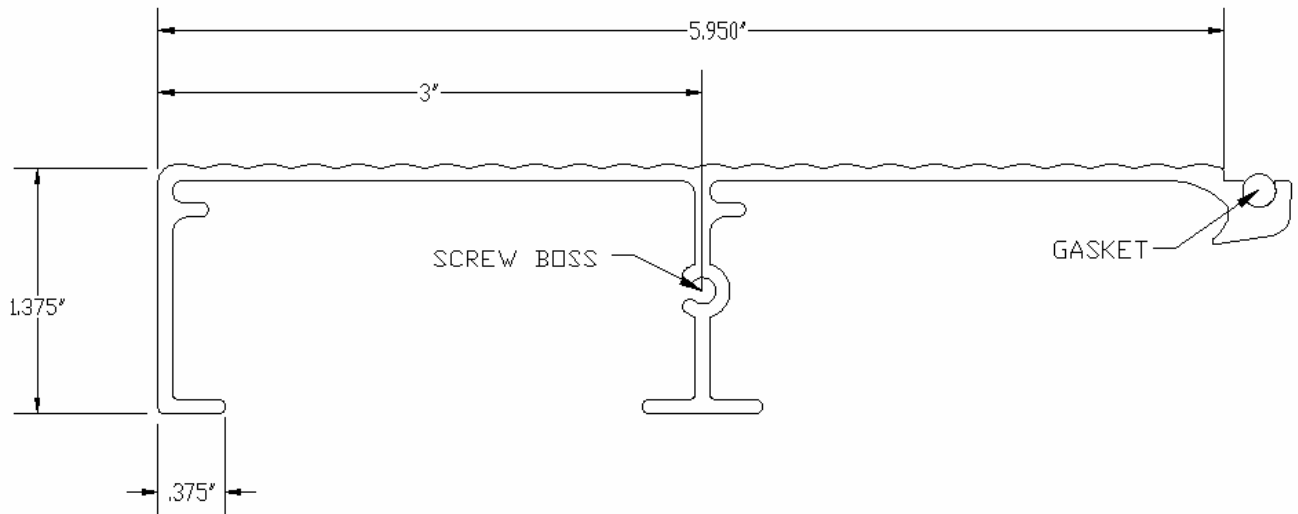
FINISH TRIM



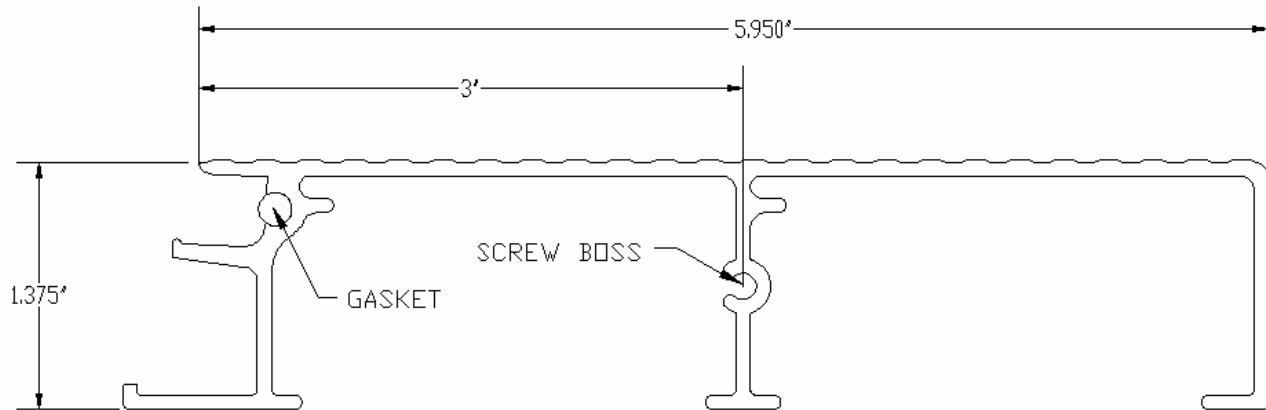
STARTER HOUSE
PIECE



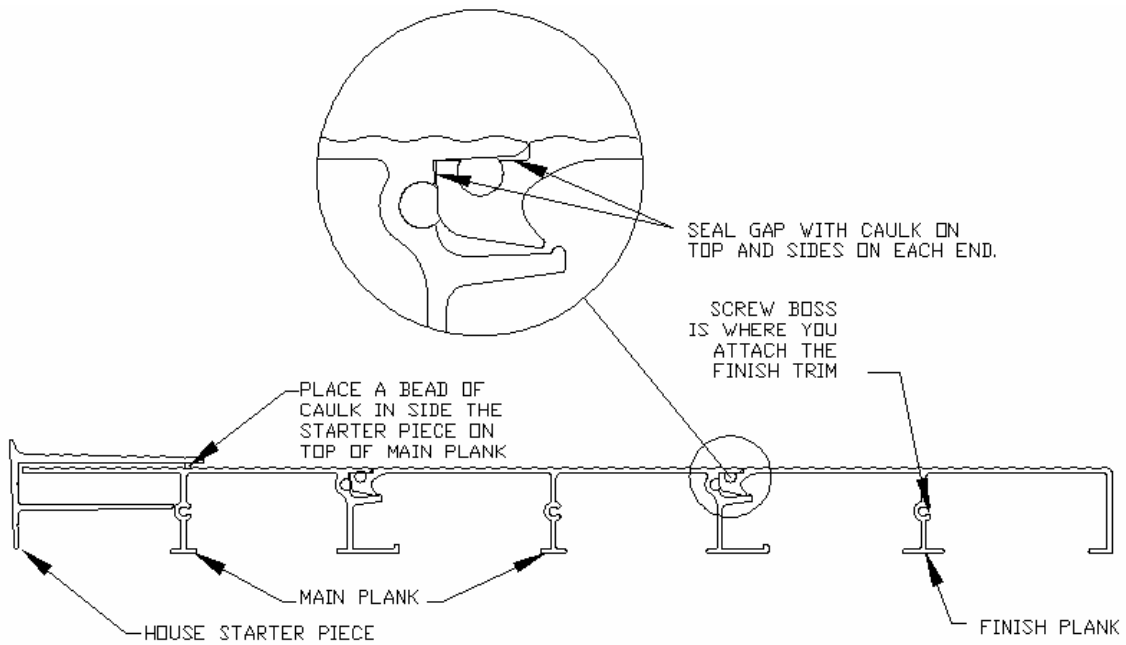
SPLICE
TEE



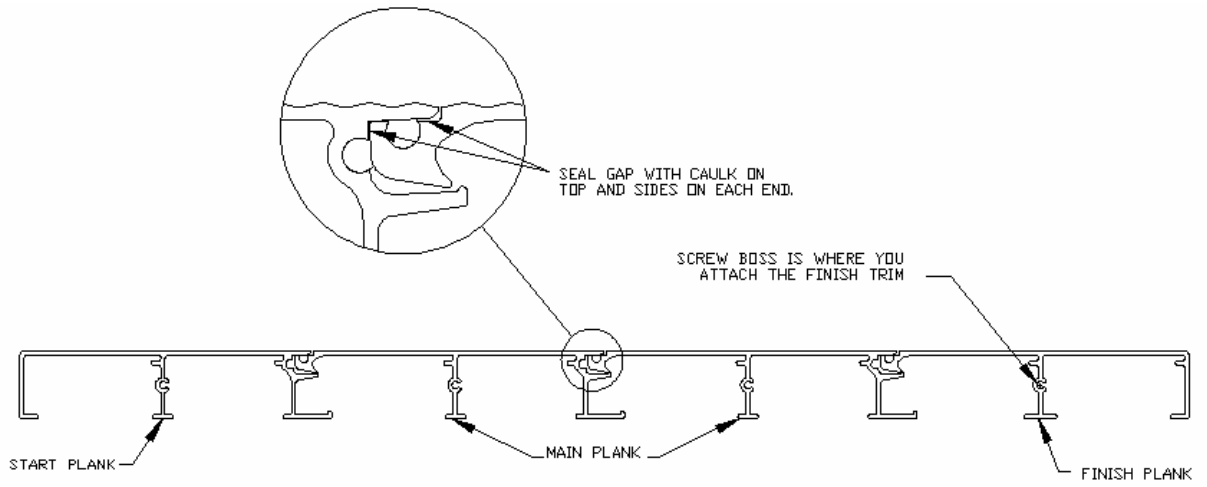
FINISH PLANK



START PLANK



INSTALLATION FOR PLANKS RUNNING PARALLEL



INSTALLATION FOR PLANKS RUNNING PERPENDICULAR

