



**DIETRICH**  
DESIGN GROUP  
A Worthington Industries Company

### Typical Deck Details (Revised 10/10/04)

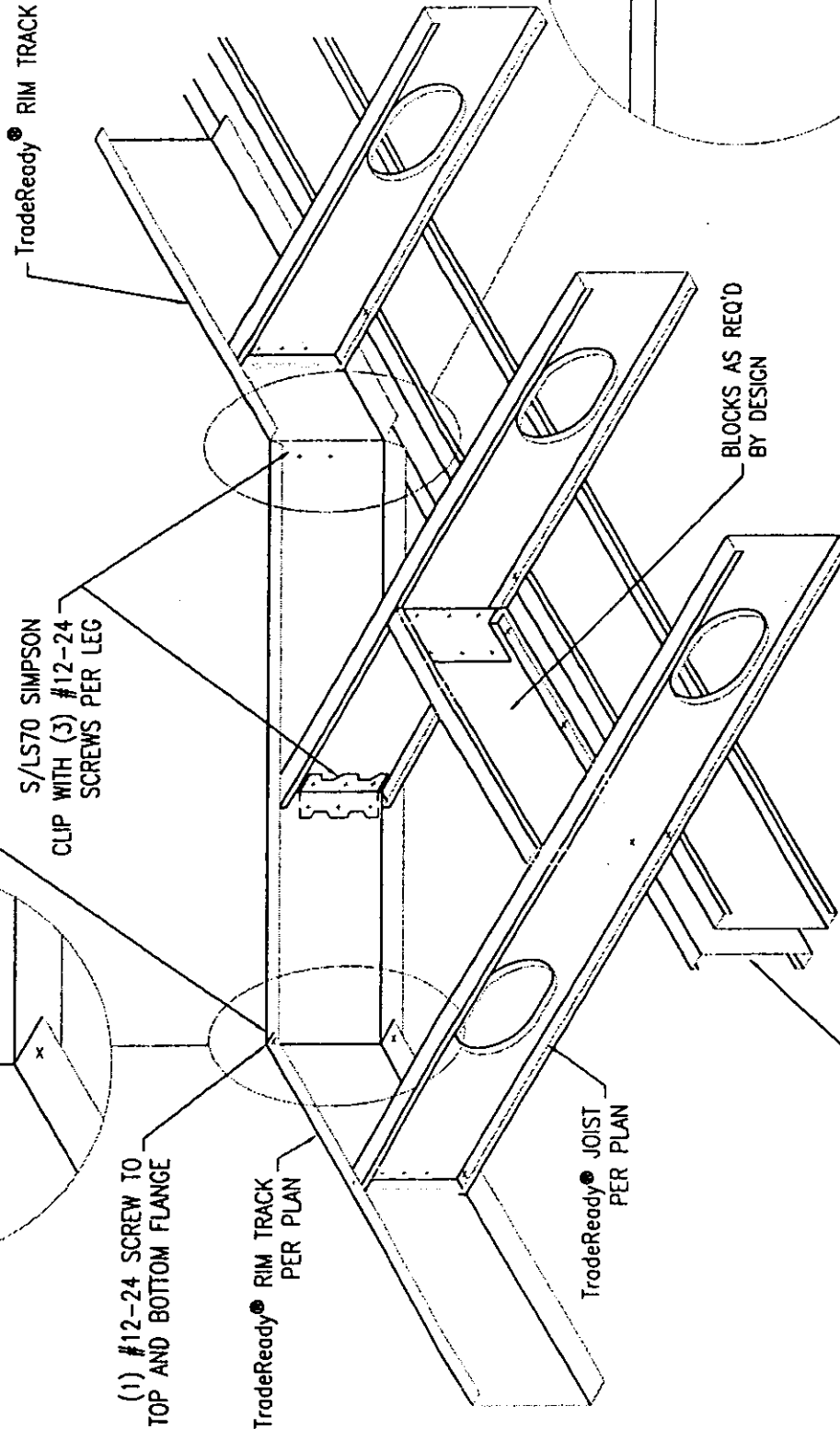
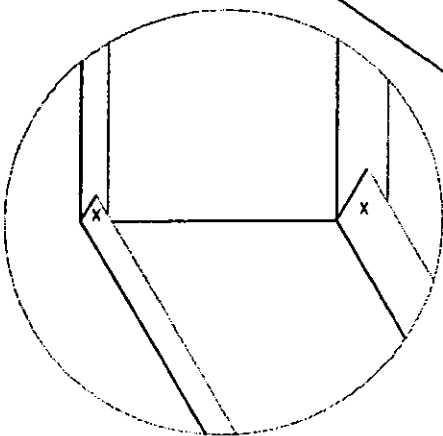
#### Detail Series Definition

Series D1100	Joist Rim Details
Series D1200	Ledger Connection Details
Series D1300	Post and Beam Details
Series D1400	Blocking and Bridging Details
Series D1500	Clip Details
Series D1600	Bracing Details

#### Notes:

- 1) The Steeldeck Details provided are based on design loads of 40 psf live load and 10 psf dead load.
- 2) It is the responsibility of the engineer of record to determine the applicability of these details for high wind and seismic conditions.
- 3) The details are intended to show only gravity load resisting elements and connections. The details shall not be relied upon in any other way.
- 4) For details depicting a 3.5" minimum joist bearing, this dimension is taken from the outside of the rim track. A 1/8" maximum gap is permitted between the rim track, and the end of the joist.
- 5) Minimum #12-14 screw edge distance and spacing is 5/16" and 5/8" respectively. These dimensions are measured to the centerline of the screw.
- 6) For details depicting blocking, the blocking can be either punched or un-punched.
- 7) Generally joists are installed so that all of the flanges are oriented in the same direction. For certain conditions, joist flange orientation may be changed to provide for easier installation.

CUT FLANGE AND BEND WEB TO FORM CORNER, OR USE 2 SEPARATE RIM PIECES AND FASTEN W/SIMPSON S/LS70 W/ (3) #12-24 SCREWS AT EACH CLIP LEG



TradeReady® RIM TRACK

S/LS70 SIMPSON CLIP WITH (3) #12-24 SCREWS PER LEG

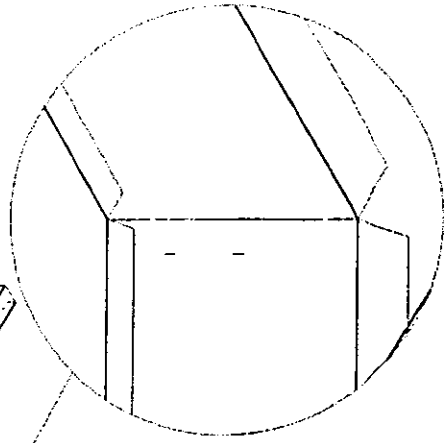
(1) #12-24 SCREW TO TOP AND BOTTOM FLANGE

TradeReady® RIM TRACK PER PLAN

TradeReady® JOIST PER PLAN

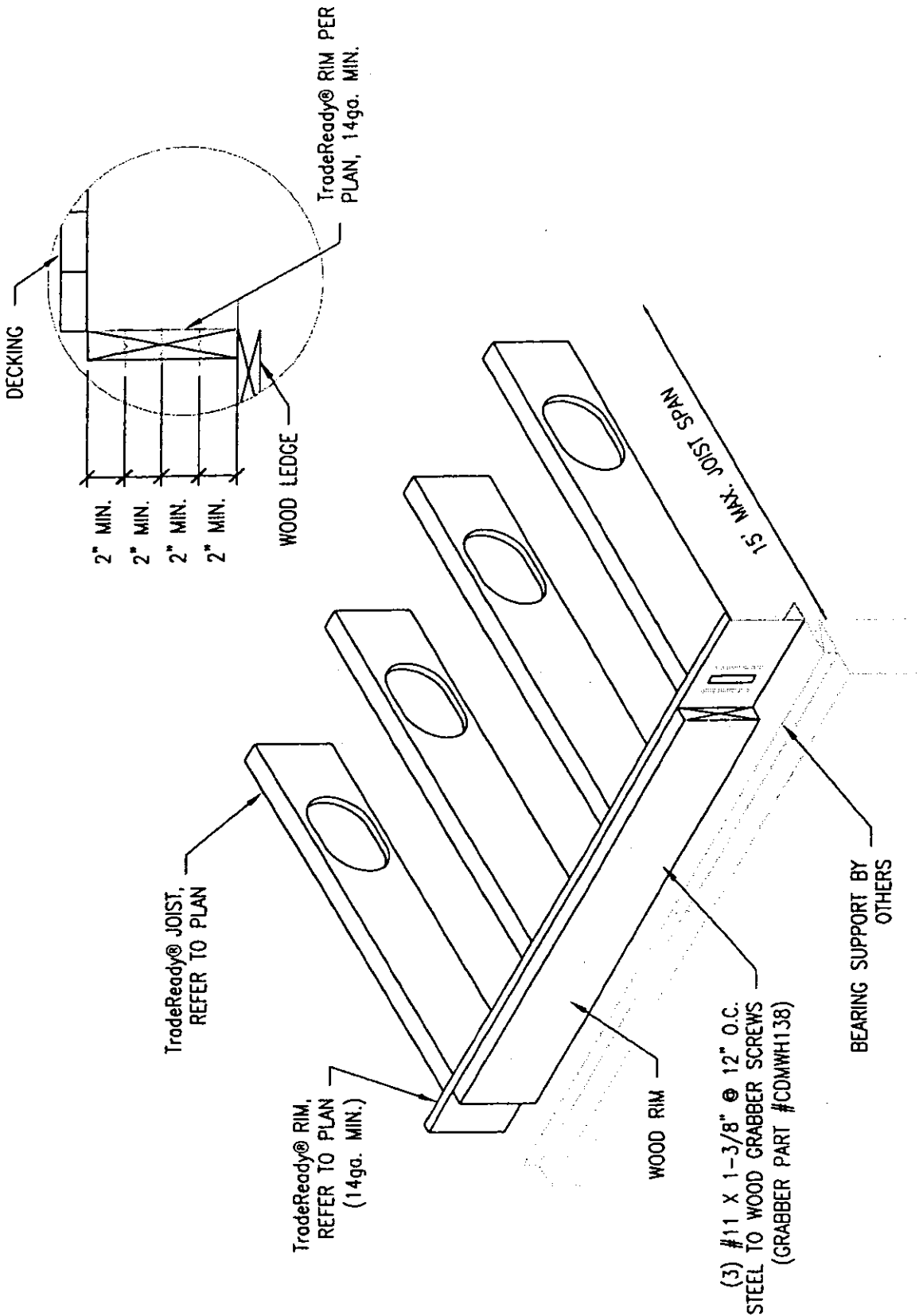
BEAM PER ELEVATION

BLOCKS AS REQ'D BY DESIGN



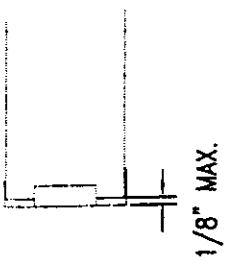
CANTILEVER - SKEWED RIM - S-LS70 CLIP

D1101

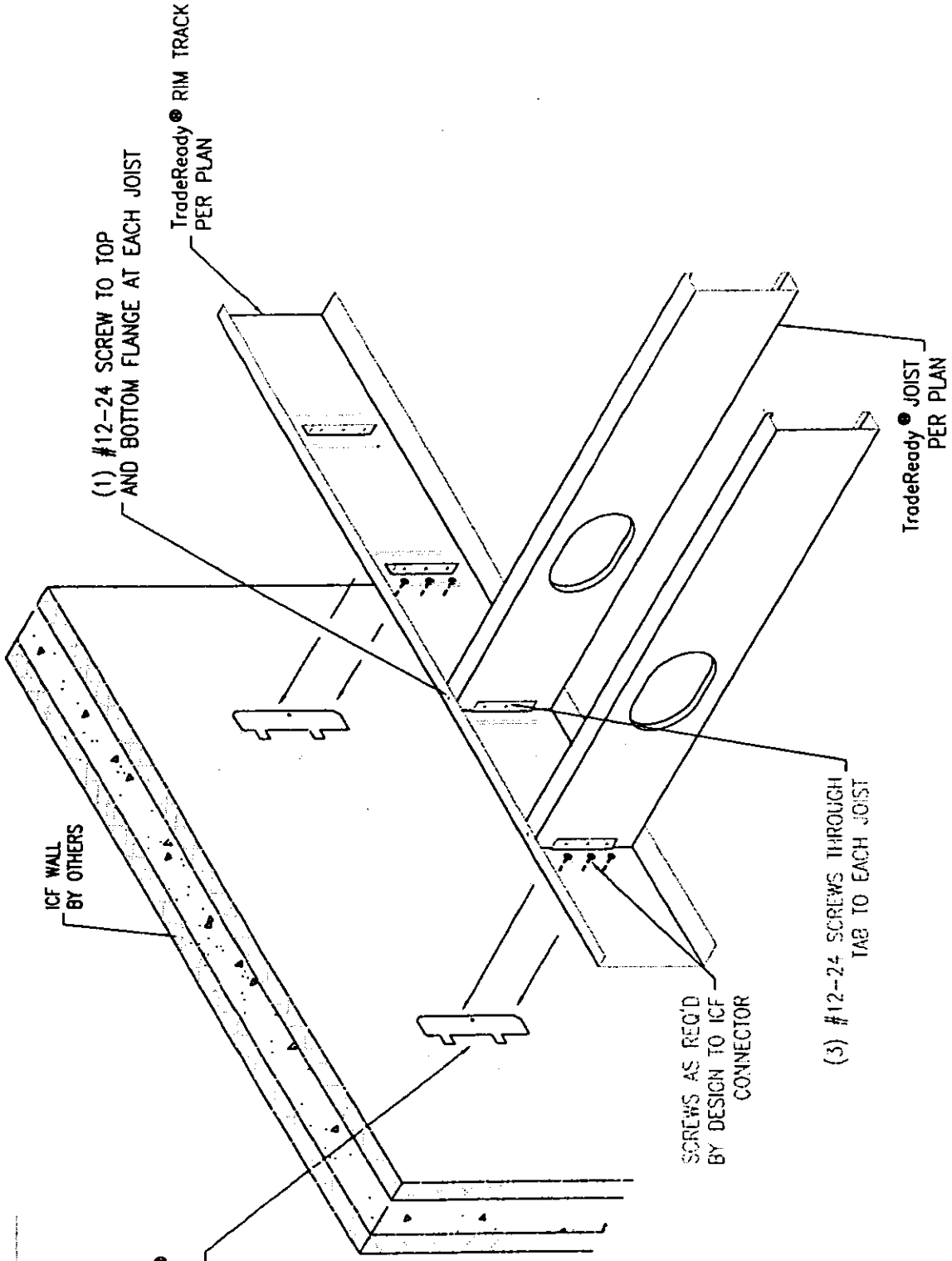


**D1200 DECK CONNECTION DETAIL (RIM SIDE)**

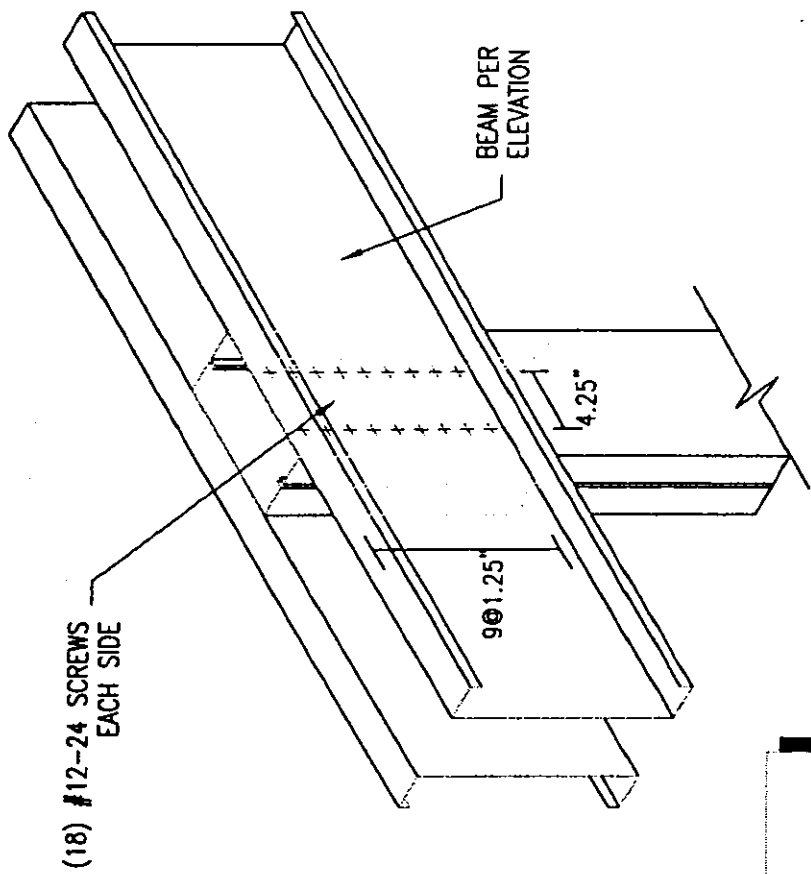
NOTE: TENSION LOADS MAY NEED TO BE RESISTED AT THE DECK TO HOUSE CONNECTION FOR A VARIETY OF REASONS, INCLUDING WIND, EARTHQUAKE, HUMAN ACTIVITY AND VARIOUS SPECIAL FRAMING CONDITIONS. IT IS RECOMMENDED THAT TENSION TIE OPTION 1 (D1122) OR 2 (D1115) BE USED AS APPLICABLE, BUT NO MORE THAN 6' TO 8' O.C. LOCAL CODE REQUIREMENTS, OR SPECIAL DECK FRAMING CONDITIONS MAY REQUIRE MORE FREQUENT CONNECTIONS.



SIMPSON Strong-Tie®  
ICFCLC, ICF CONNECTOR  
SPACED AS REQ'D  
BY DESIGN



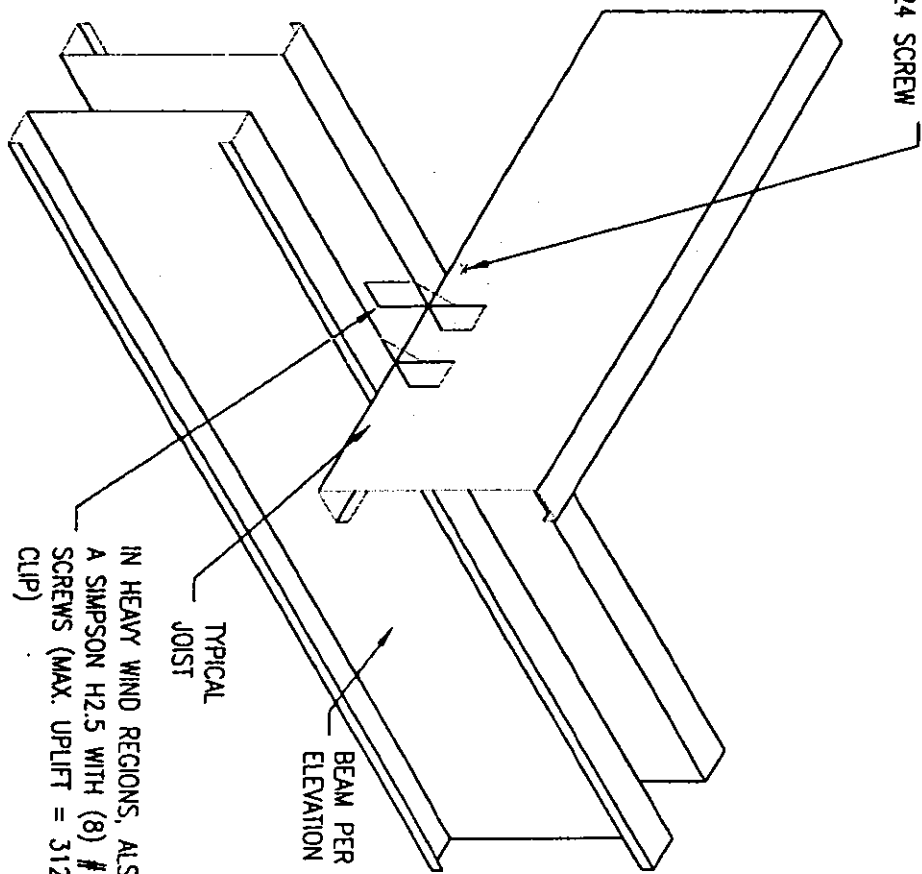
01202 ICF - SIMPSON ICFCLC - STANDARD



**NOTE**  
 ENGINEERING REVIEW REQUIRED TO  
 ENSURE CONNECTION CAPACITY IS  
 SUFFICIENT FOR THE DECK BEING  
 CONSTRUCTED.

01300 POST/BEAM CONNECTION

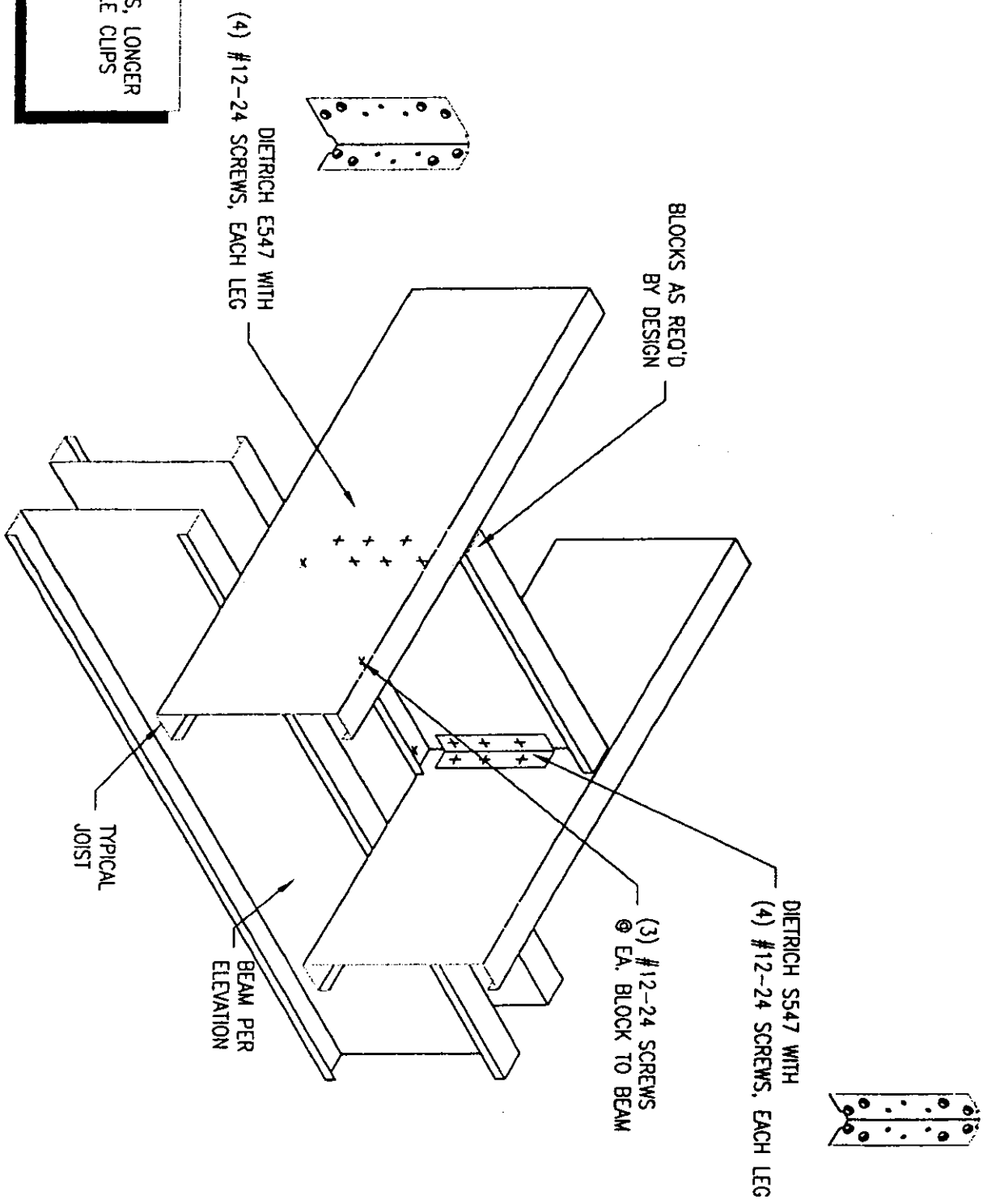
FASTEN EACH JOIST TO THE TOP BEAM FLANGE  
WITH (1) #12-24 SCREW



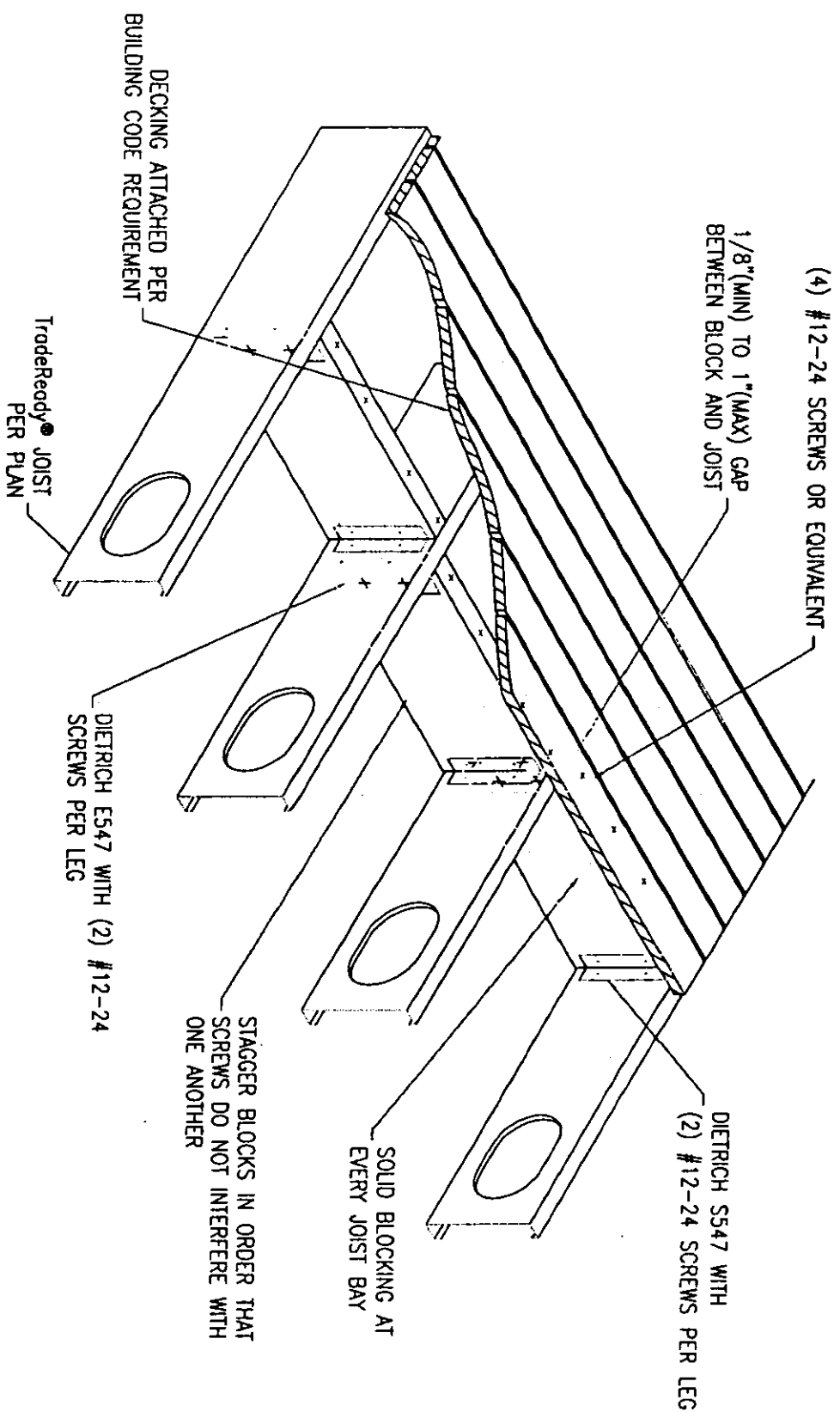
IN HEAVY WIND REGIONS, ALSO USE  
A SIMPSON H2.5 WITH (8) #12-24  
SCREWS (MAX. UPLIFT = 312# PER  
CLIP)

01302 JOIST/BEAM CONNECTION

NOTE:  
 Ⓢ SKEWED CONDITIONS, LONGER  
 BLOCKS AND SKEWABLE CLIPS  
 WILL BE REQUIRED.



01400  
 BLOCKING / BRIDGING OVER BEAM SUPPORT



D1402 JOIST BRIDGING - SOLID BLOCKING

DECKING ATTACHED PER BUILDING CODE REQUIREMENT

TradeReady® JOIST PER PLAN

DIETRICH E547 WITH (2) #12-24 SCREWS PER LEG

STAGGER BLOCKS IN ORDER THAT SCREWS DO NOT INTERFERE WITH ONE ANOTHER

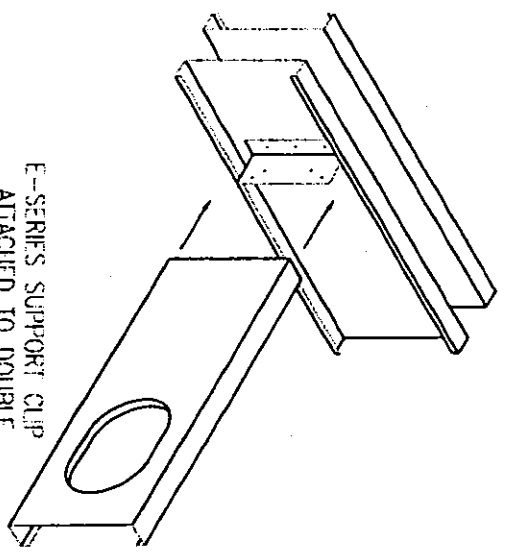
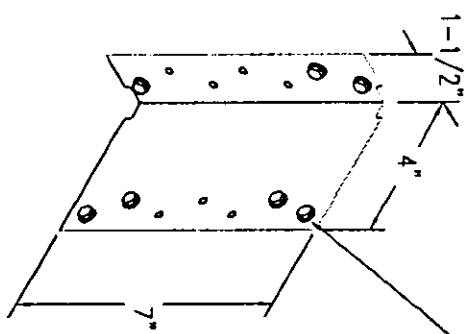
SOLID BLOCKING AT EVERY JOIST BAY

DIETRICH S547 WITH (2) #12-24 SCREWS PER LEG

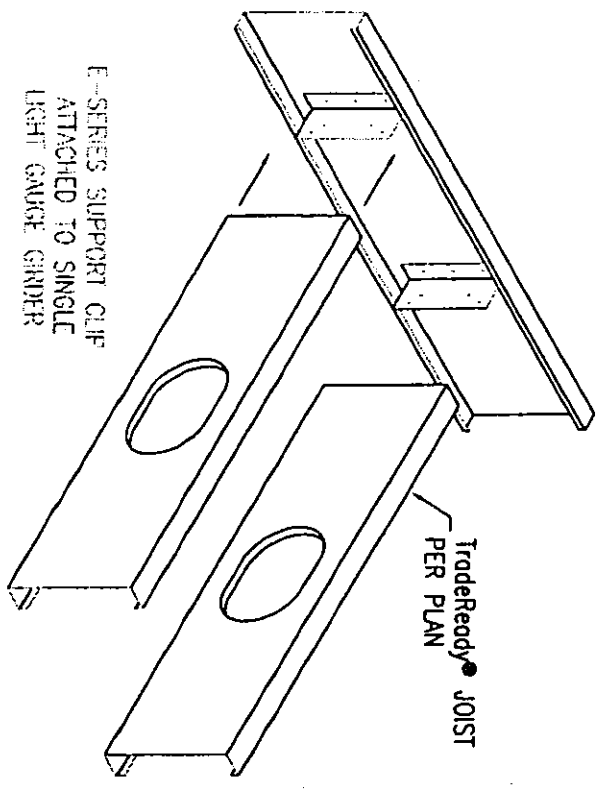
(4) #12-24 SCREWS OR EQUIVALENT

1/8" (MIN) TO 1" (MAX) GAP BETWEEN BLOCK AND JOIST

USE #12-24 (MIN.) SELF DRILLING SCREWS  
 INSTALLED THROUGH CLIP HOLES TO LIGHT  
 GAUGE FRAMING. PLACE FASTENERS IN A  
 SYMMETRIC MANNER FROM THE OUTSIDE -  
 IN AS SHOWN



E-SERIES SUPPORT CLIP  
 ATTACHED TO DOUBLE  
 LIGHT GAUGE GIRDER



E-SERIES SUPPORT CLIP  
 ATTACHED TO SINGLE  
 LIGHT GAUGE GIRDER

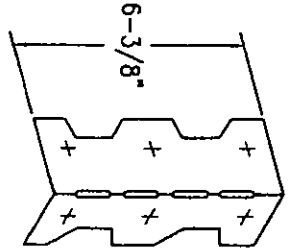
TradeReady® JOIST  
 PER PLAN

- NOTES:
- 1) DIETRICH E-SERIES SUPPORT CLIP, CLIP GAUGE AND FASTENERS AS REQUIRED BY DESIGN.
  - 2) SUPPORT CLIP LENGTH PER TABLE T.1.

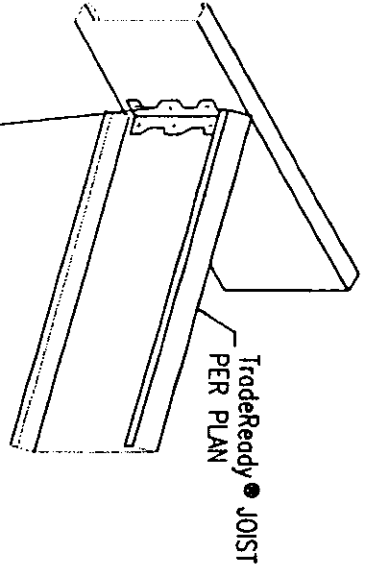
TABLE T.1

JOIST WIDTH	CLIP LENGTH (X)
9-1/4" - 10"	7"

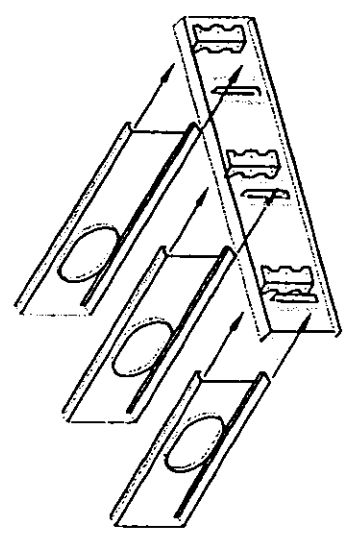
01501 SUPPORT CLIP - DIETRICH E-SERIES  
 DIETRICH ATTACHEMENT TO BEAM



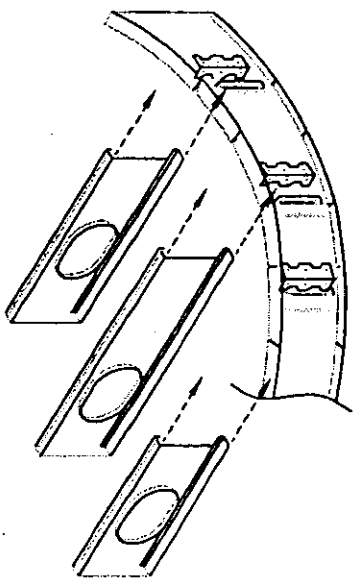
S/L570 SIMPSON  
 CLIP WITH (3) #12-24  
 SCREWS PER LEG



S/L570 CLIPS  
 @ SKEWED JOIST/GIRDER

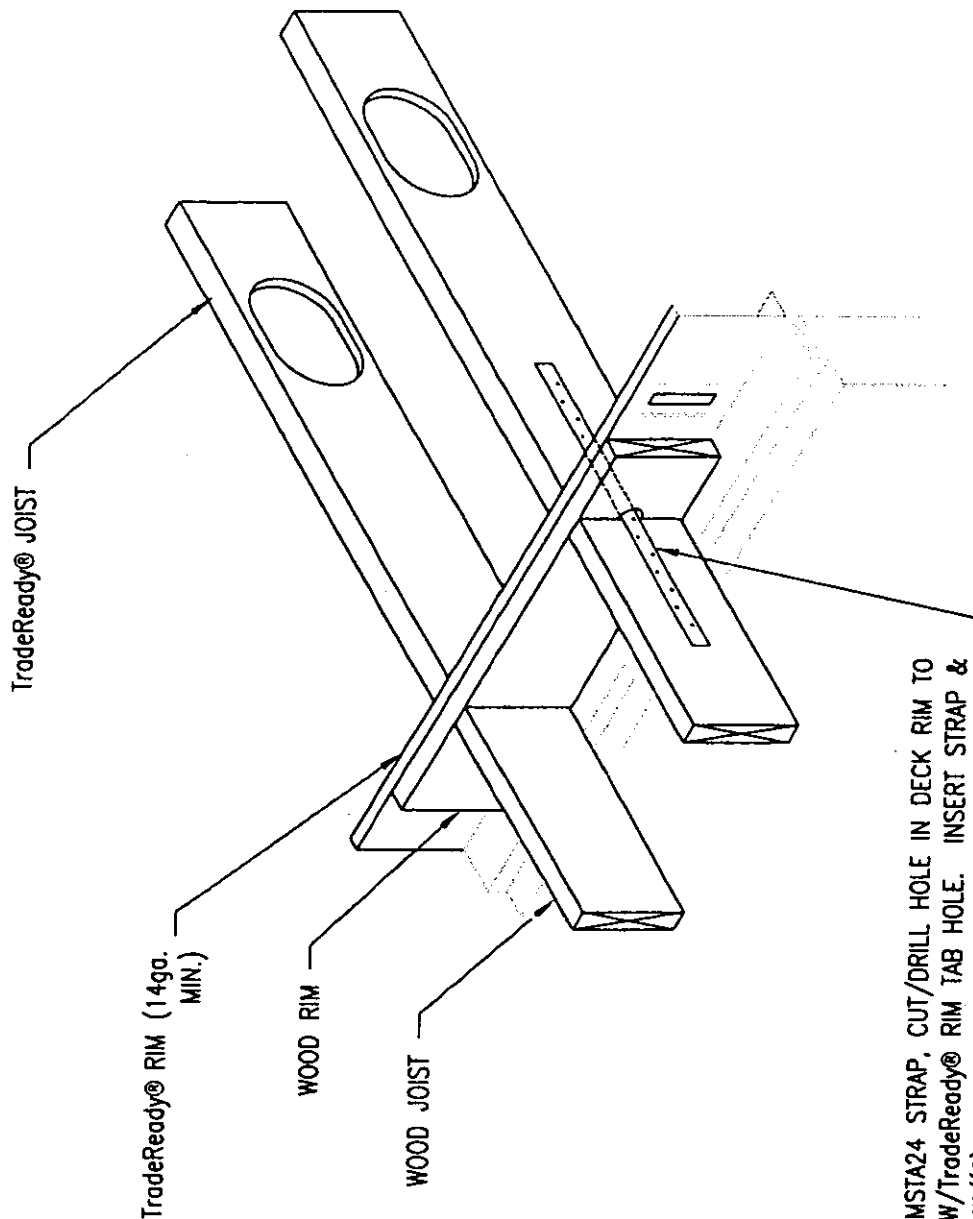


S/L570 CLIPS  
 @ SKEWED RIM



S/L570 CLIPS  
 @ CURVED RIM

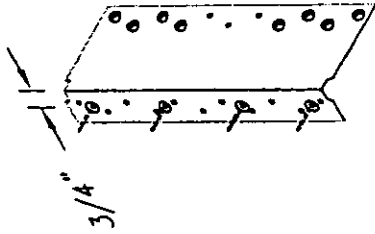
01503 SUPPORT CLIP - SIMPSON SKEWED S/L570



SIMPSON MSTA24 STRAP, CUT/DRILL HOLE IN DECK RIM TO ALIGN W/TradeReady® RIM TAB HOLE. INSERT STRAP & FASTEN W/(6) 10d NAILS TO DECK JOIST & (6) #12-24 SCREWS TO TradeReady® JOIST. (ALLOW. TENSION = 683#)

(D1600) DECK TENSION TIE  
(OPTION 1)

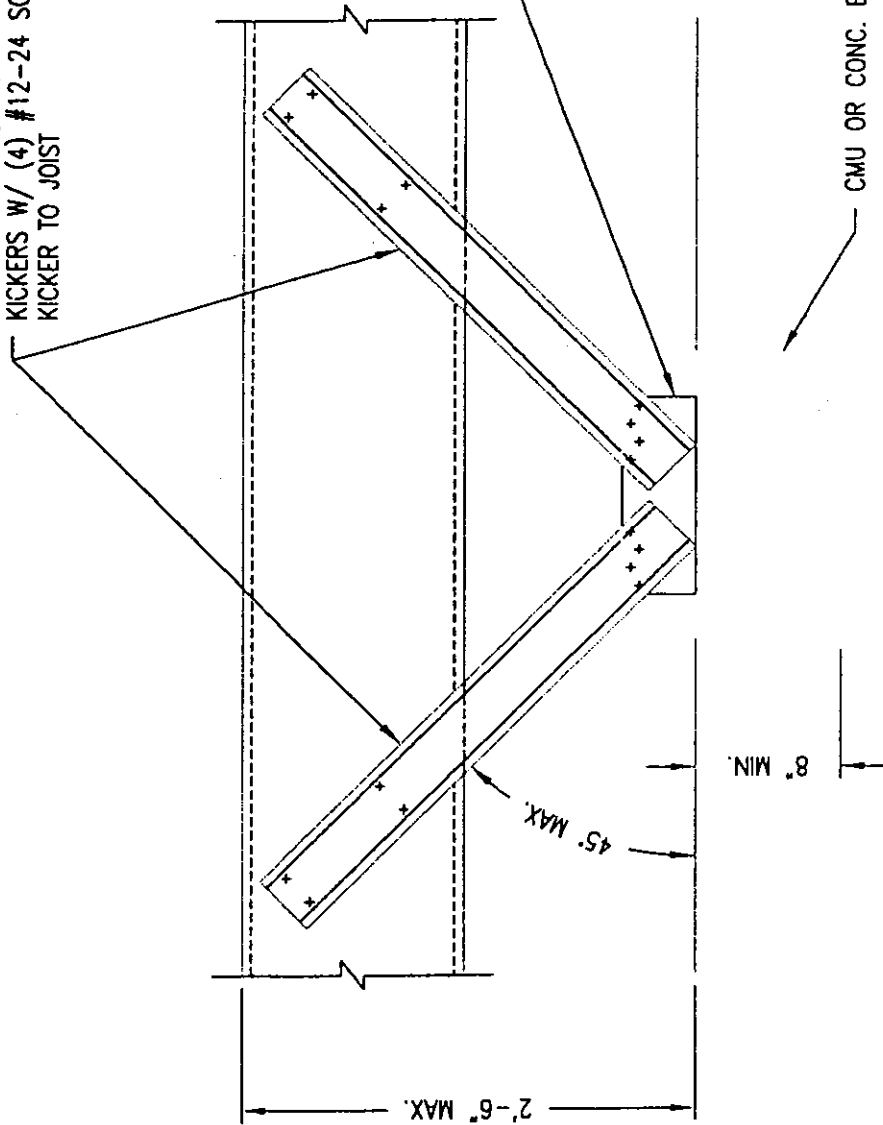
3-5/8" CSW 14ga. (362S200-68), 33ksi  
 KICKERS W/ (4) #12-24 SCREWS @ EA.  
 KICKER TO JOIST



3/4"

DIETRICH E971 WITH  
 (8) #12-24 SCREWS TO STUD AND (4)  
 1/4"Ø, 1-3/4" EMBED HILTI KWIK-CON II+  
 FASTENERS TO CONCRETE

**NOTE:**  
 PLACEMENT/FREQUENCY  
 OF KICKERS AS  
 REQUIRED BY DESIGN.



CMU OR CONC. BLOCK

D1602

**BRACING FREE STANDING DECK**

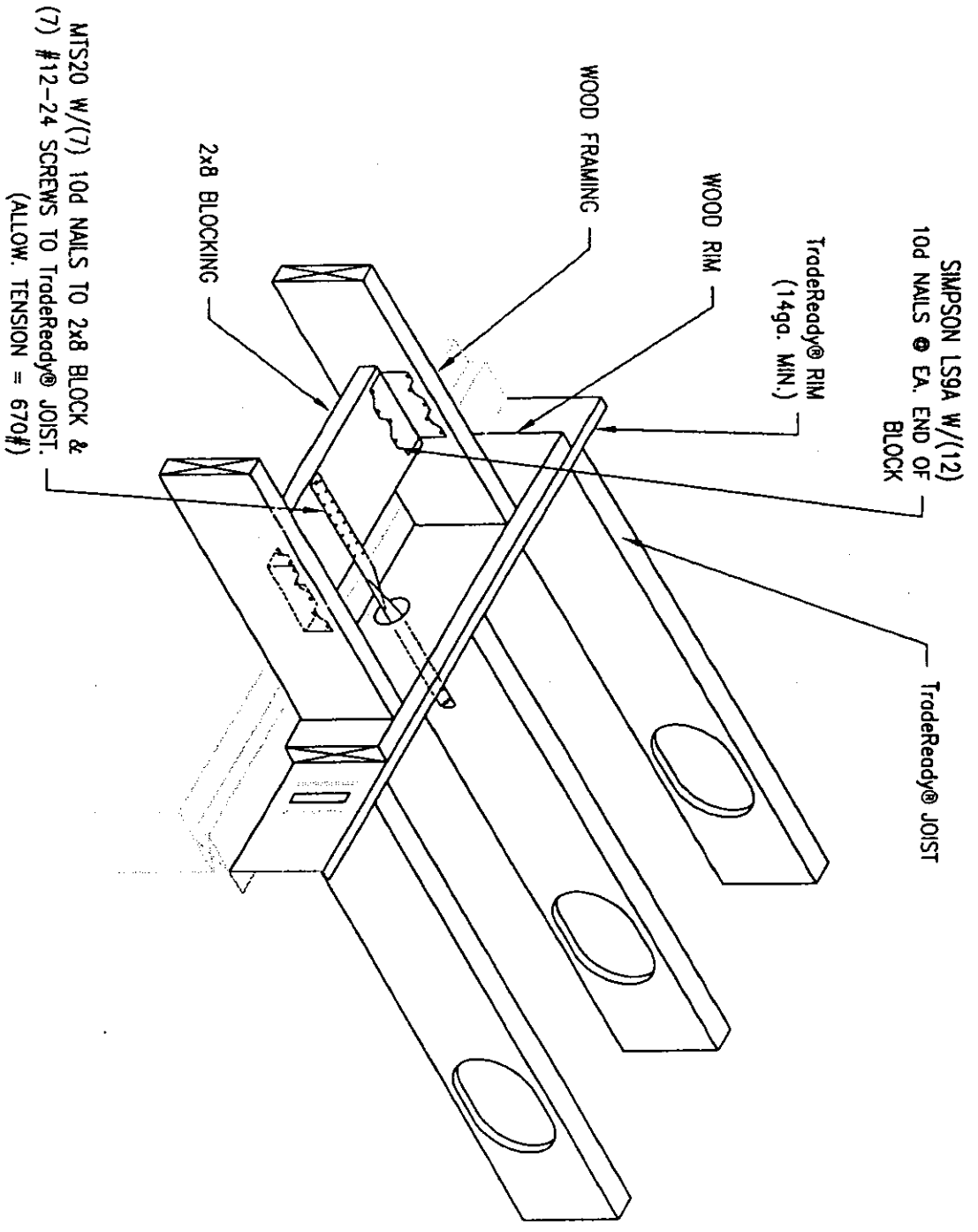
NOTE: THIS DETAIL SHALL NOT BE USED FOR DECKS GREATER  
 THAN 2'-6" ABOVE GRADE



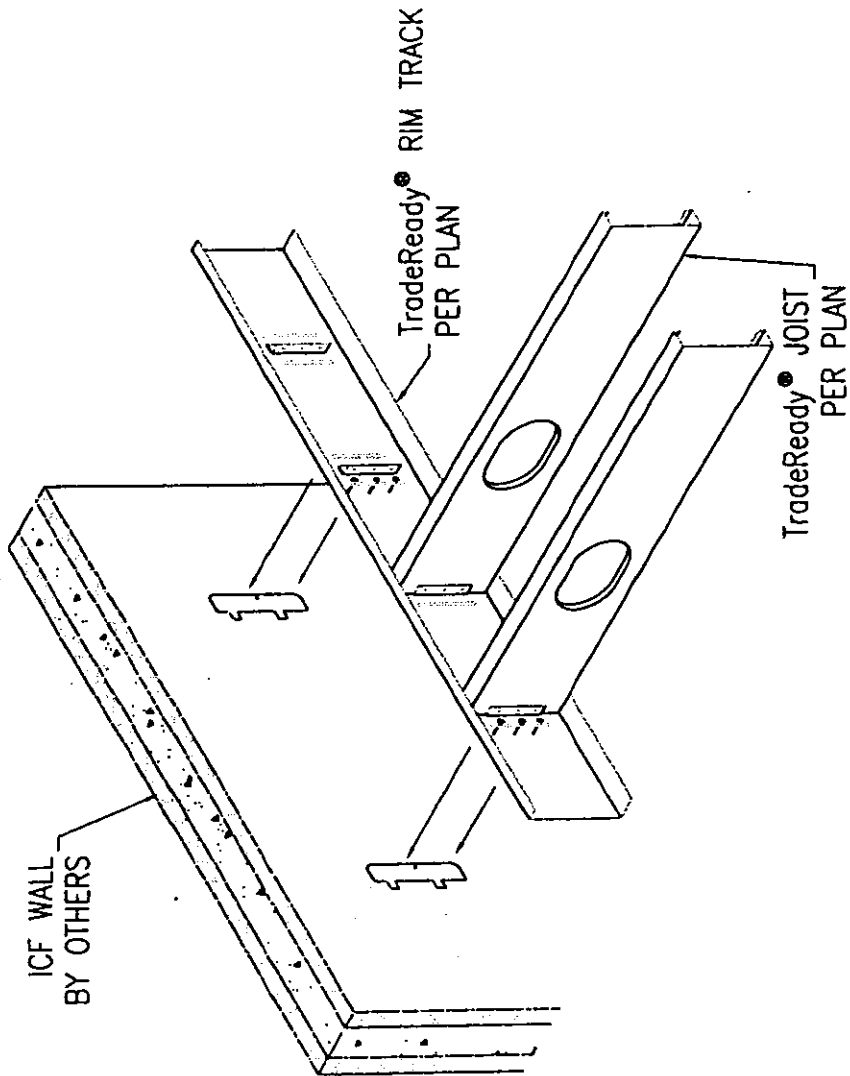
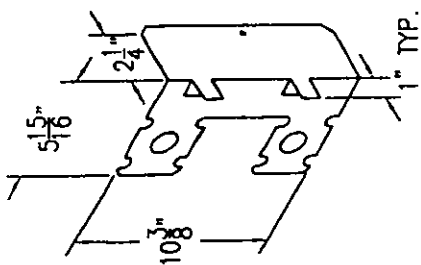
1414 Field Street  
 Building C - Suite #1  
 Hammond, IN 46320  
 Phone: (219) 863-9474  
 Fax: (219) 932-6141

**TradeReady® DECK DETAILS**

DRAWING:  
**D1602**



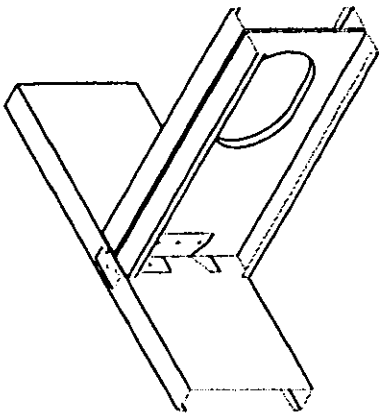
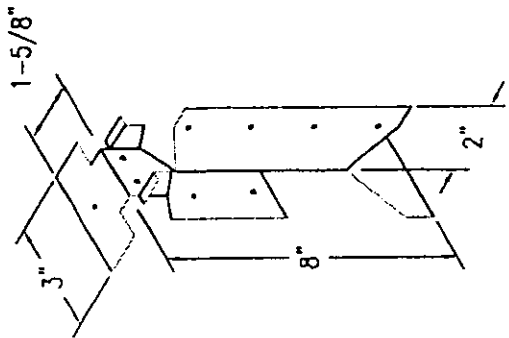
01601 DECK TENSION TIE  
(OPTION 2)



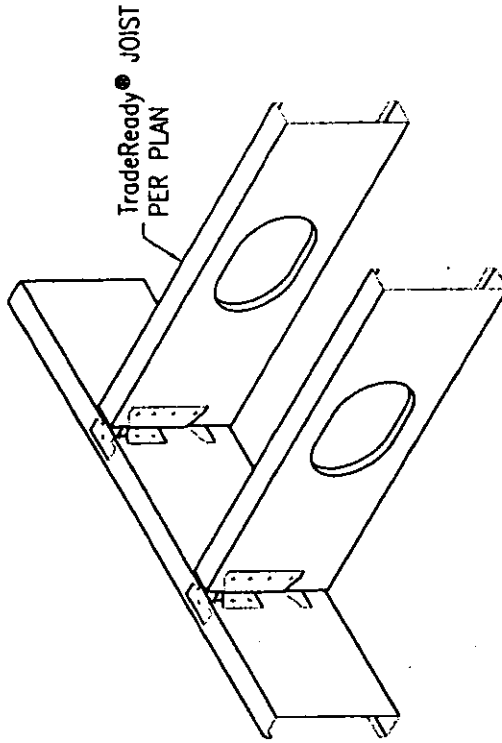
JOISTS PERPENDICULAR TO WALL

ICF CLIP - SIMPSON ICFLC

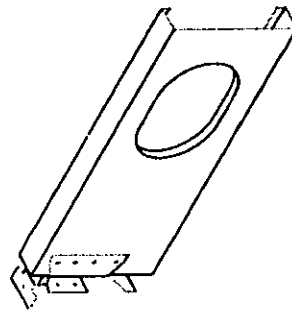
D1504



S/JCT8-14 ATTACHED  
TO DOUBLE JOIST



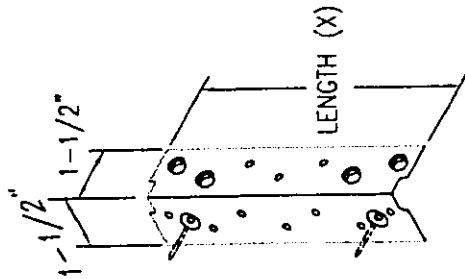
S/JCT8-14 ATTACHED  
TO LIGHT GAUGE GIRDER



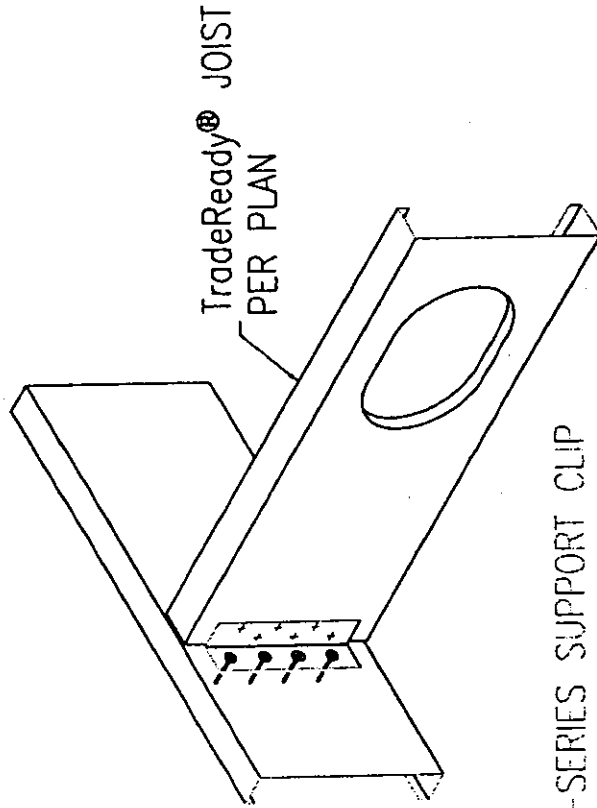
S/JCT8-14 ATTACHED  
TO WOOD GIRDER

JOIST HANGER - SIMPSON S-JCT8

D1502



USE #12 (MIN.) SELF DRILLING SCREWS  
 INSTALLED THROUGH CLIP HOLES TO LIGHT  
 GAUGE FRAMING. PLACE FASTENERS IN A  
 SYMMETRIC MANNER FROM THE OUTSIDE-  
 IN AS SHOWN



S-SERIES SUPPORT CLIP  
 ATTACHED TO LIGHT  
 GAUGE GIRDER

NOTES:

- 1) DIETRICH S-SERIES SUPPORT CLIP, CLIP GAUGE AND FASTENERS AS REQUIRED BY DESIGN.
- 2) SUPPORT CLIP LENGTH PER TABLE T.1.

TABLE T.1

JOIST DEPTH	CLIP LENGTH (X)
9-1/4" - 10"	7"

SUPPORT CLIP - DIETRICH S-SERIES

D1500

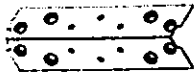
07.23.03



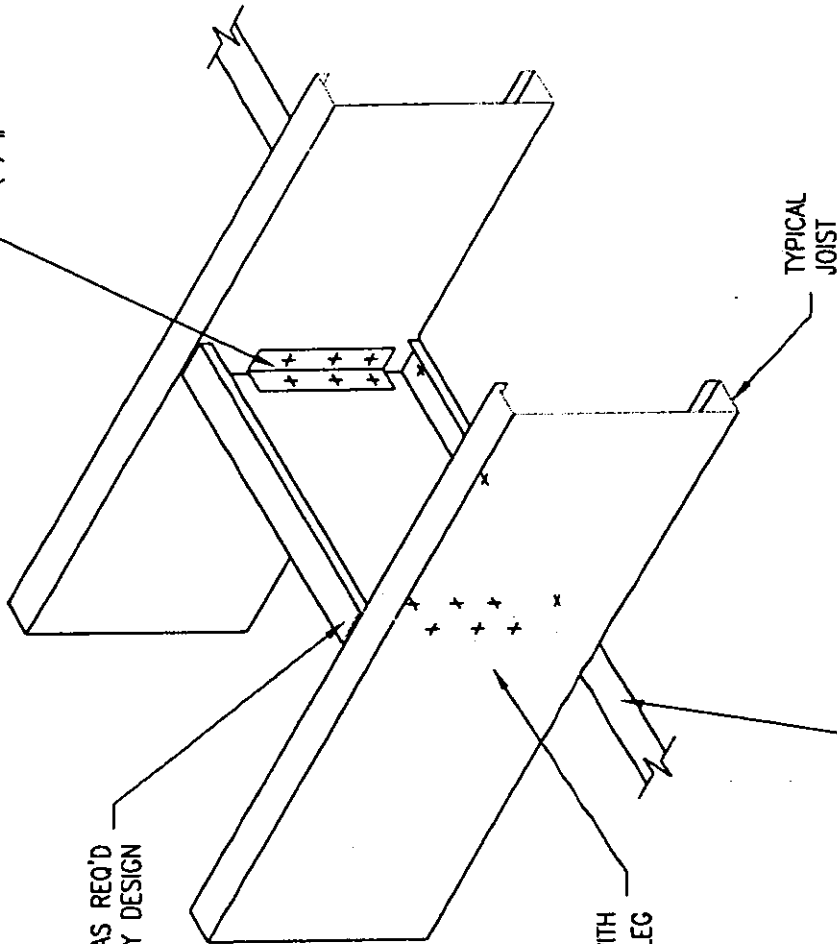
1414 Field Street  
 Building C, Suite #1  
 Hammond, IN 46320  
 Phone: (219) 853-8474  
 Fax: (219) 852-4141

TradeReady® DECK DETAILS

DRAWING:  
 D1500



DIETRICH S547 WITH  
(4) #12-24 SCREWS, EACH LEG

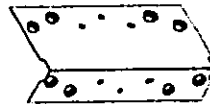


BLOCKS AS REQ'D  
BY DESIGN

DIETRICH E547 WITH  
(4) #12-24 SCREWS, EACH LEG

2" x 18ga., STRAP W/ (3) #12-24  
SCREWS @ EACH BLOCK

TYPICAL  
JOIST



BLOCKING/BRIDGING DETAIL

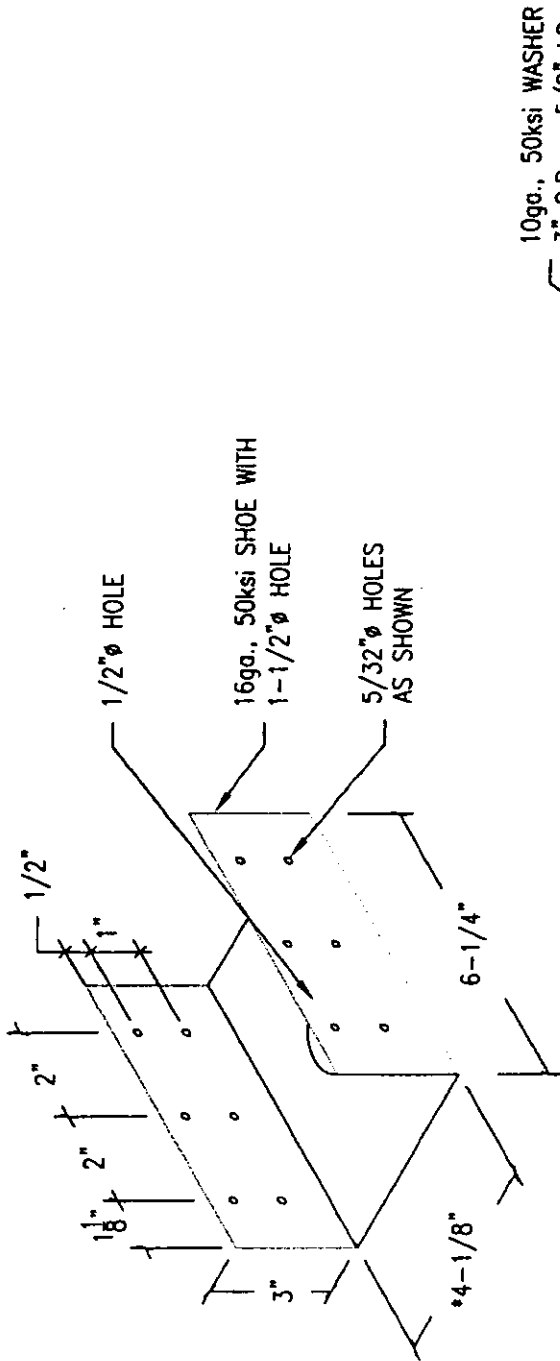
01401



1614 Field Street  
Building C - Suite 81  
Hammond, IN 46320  
Phone: (219) 983-8474  
Fax: (219) 932-4141

TradeReady® DECK DETAILS

DRAWING:  
D1401



SECTION THROUGH J-BOLT

POST TO PIER CONNECTION

D1303



1456 Field Street  
 Building C - Suite #1  
 Hammond, IN 46320  
 Phone: (219) 853-9474  
 Fax: (219) 832-6141

TradeReady® DECK DETAILS

DRAWING:  
 D1303

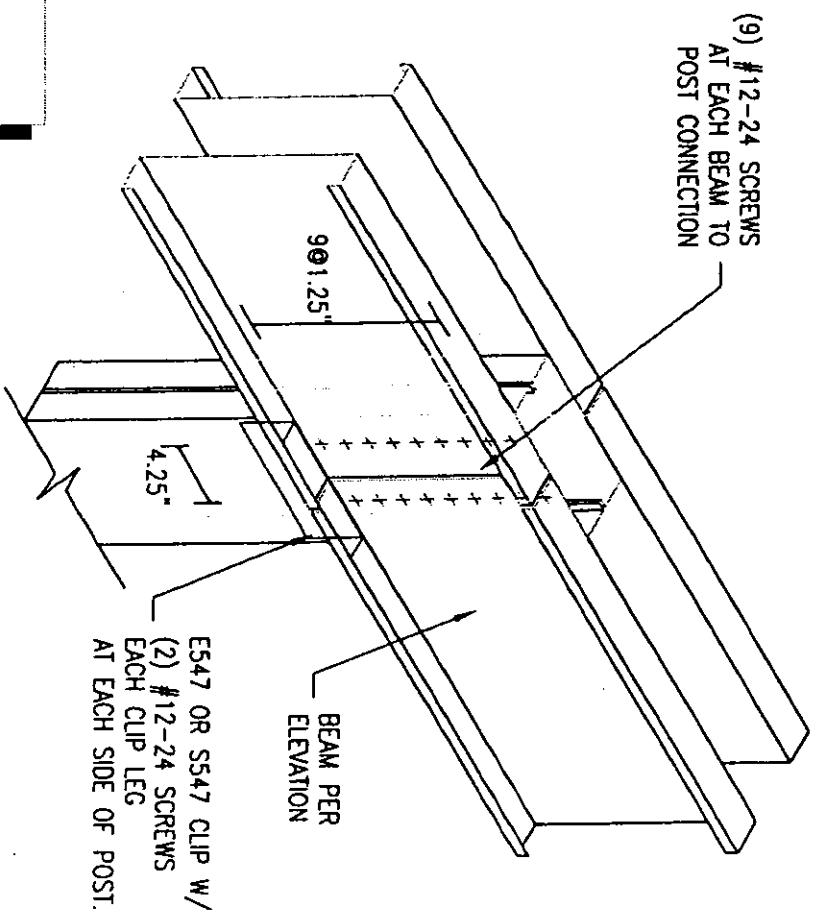


1414 First Street  
 Building C, Suite #1  
 Hayward, CA 94541  
 Phone: (510) 883-8474

TradeReady®  
 DECK DETAILS

DRAWING:  
 D1301

**NOTE:**  
 ENGINEERING REVIEW REQUIRED TO  
 ENSURE CONNECTION CAPACITY IS  
 SUFFICIENT FOR THE DECK BEING  
 CONSTRUCTED.



(9) #12-24 SCREWS  
 AT EACH BEAM TO  
 POST CONNECTION

BEAM PER  
 ELEVATION

ES47 OR SS47 CLIP W/  
 (2) #12-24 SCREWS  
 EACH CLIP LEG  
 AT EACH SIDE OF POST.

9@1.25"

4.25"

D1301 BEAM SPLICE AT POST



4410 Plate Steel  
 Building C - Suite 41  
 Richmond, VA 23120  
 Phone: (813) 883-9474

TradeReady®  
 DECK DETAILS

DRAWING:

REMOVE ICF FOAM,  
 DEPTH OF JOIST RIM TO BE USED

ICF WALL  
 BY OTHERS

ICF WALL  
 BY OTHERS

TradeReady®  
 RIM TRACK  
 PER PLAN

DRILL-IN ANCHOR AS REQ'D BY DESIGN  
 TO CORE OF INSULATED CONCRETE  
 FORM WALL AT EACH TAB

(1) #12-24 SCREW  
 TO TOP & BOTTOM  
 FLANGE AT EACH JOIST

#12-24 SCREWS  
 AS REQUIRED  
 THROUGH TAB TO EACH  
 JOIST

TradeReady®  
 JOIST  
 PER PLAN

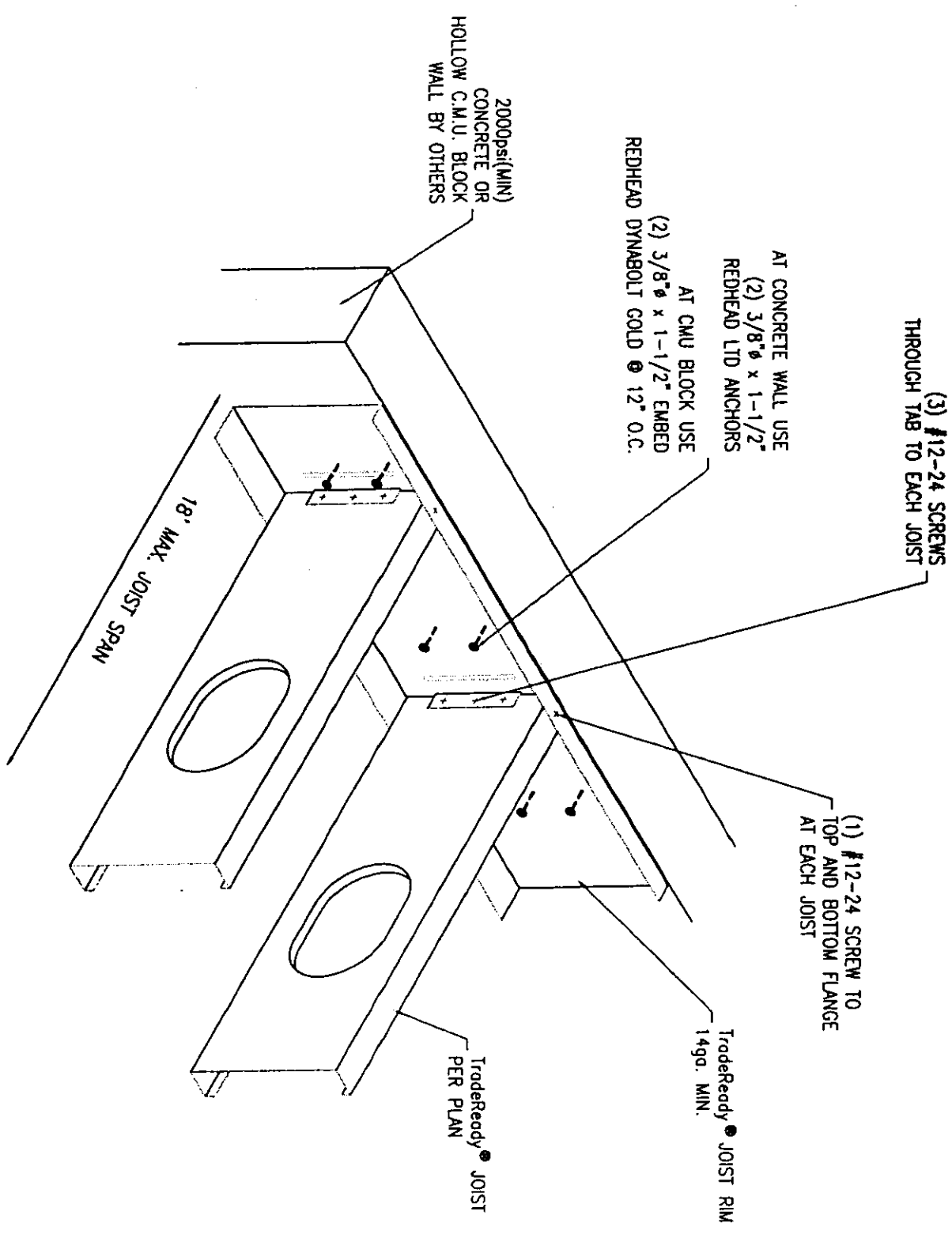
01203 ICF - RIM SET IN VOID



1114 Field Street  
 Building C, Suite 11  
 Paramus, NY 10765  
 (201) 261-8070

TradeReady®  
 DECK DETAILS

DRAWING:  
 01201



(3) #12-24 SCREWS THROUGH TAB TO EACH JOIST

(1) #12-24 SCREW TO TOP AND BOTTOM FLANGE AT EACH JOIST

AT CONCRETE WALL USE  
 (2) 3/8" x 1-1/2" REDHEAD LTD ANCHORS

AT CMU BLOCK USE  
 (2) 3/8" x 1-1/2" EMBED REDHEAD DYNABOLT GOLD @ 12" O.C.

TradeReady® JOIST RIM  
 1/4ga. MIN.

TradeReady® JOIST  
 PER PLAN

18' MAX. JOIST SPAN

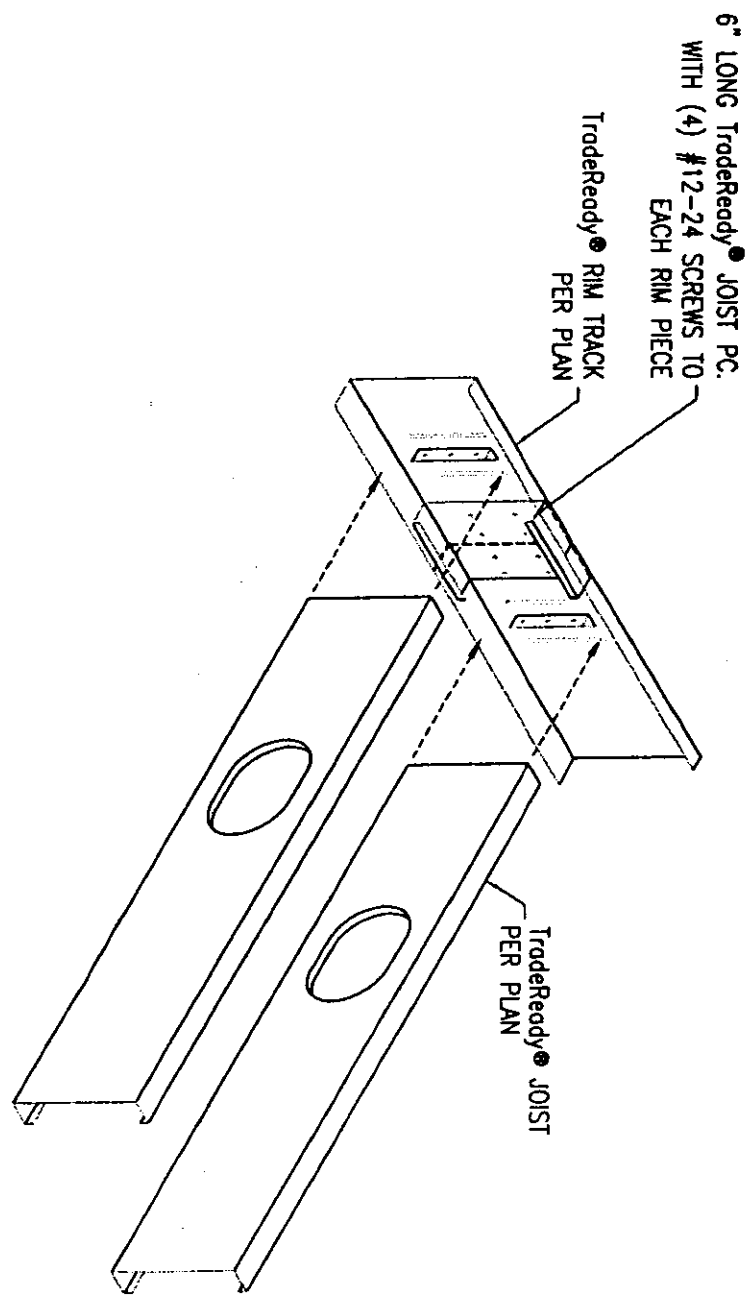
01201 DECK CONNECTION DETAIL TO CONCRETE OR CMU WALL



1414 Field Street  
Bluffton, SC 29925  
Phone: (252) 833-9974

TradeReady®  
DECK DETAILS

DRAWING:  
D1102



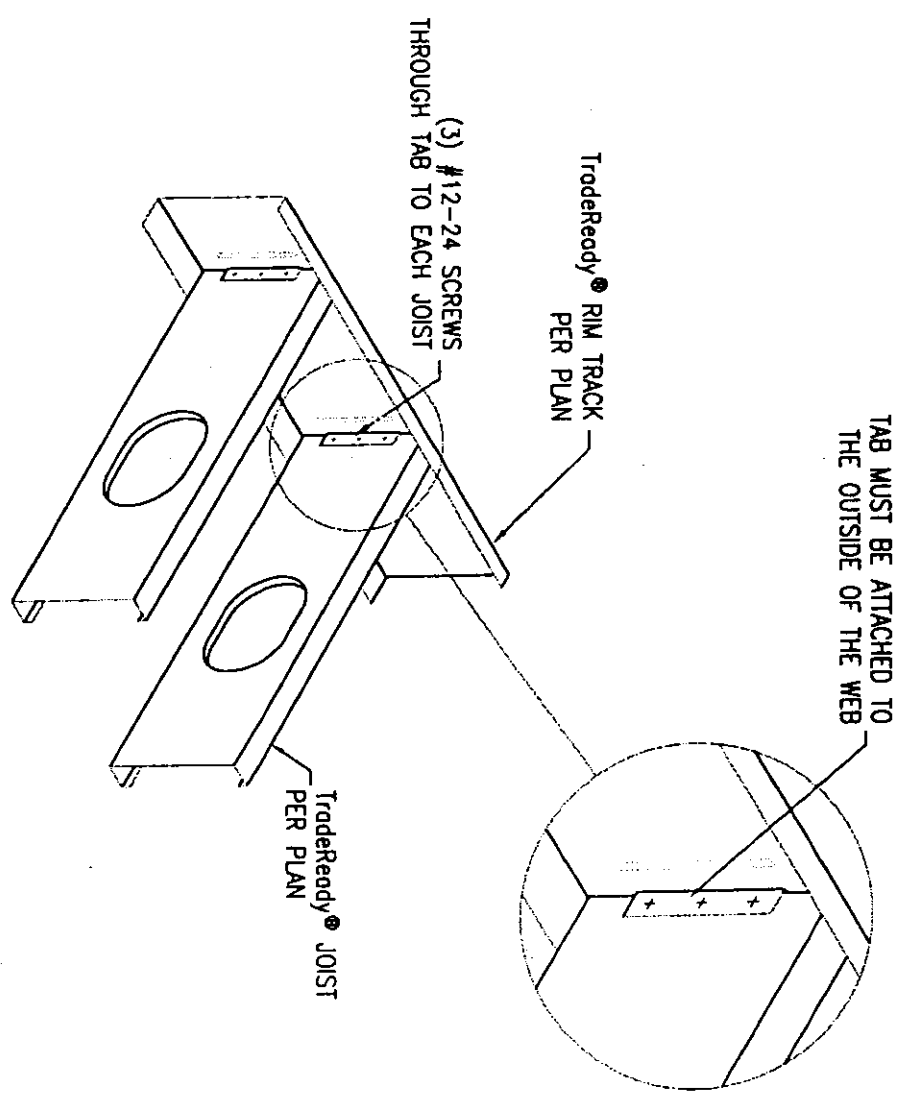
D1102 JOIST RIM - RIM SPLICE



1414 Field Street  
Burlington, C. 05401  
Phone: (802) 882-4774  
Fax: (802) 882-1510

TradeReady®  
DECK DETAILS

DRAWING:  
D1100



01100 JOIST/RIM ATTACHMENT - STANDARD